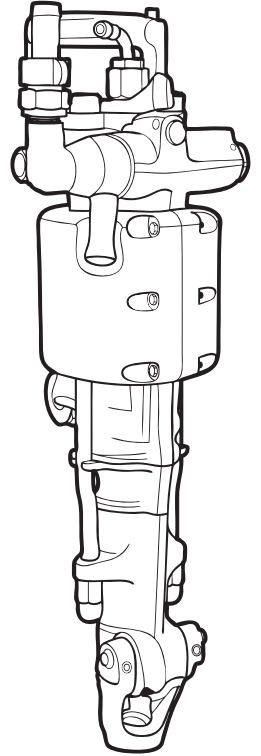


Spare parts list DSI rock drills

	Valid from serial number
BBC 34 DSI	MHN038429



Contents

General information.....	5
Spare parts list.....	6
Accessories.....	10
Optional equipment.....	10
Rock drill AIR-OIL.....	10
Kits.....	11
Seal kit.....	11
Conversion to water flushing.....	12
Side bolt kit.....	12

General information

This spare parts list applies to the following:

Part number	Description
8311 0408 06	DSI rock drill BBC 34 DSI

Use only authorized parts. Any damage or malfunction caused by the use of unauthorized parts is not covered by Warranty or Product Liability. Any unauthorized use or copying of the contents or any part thereof is prohibited. This applies in particular to trademarks, model denominations, part numbers, and drawings.

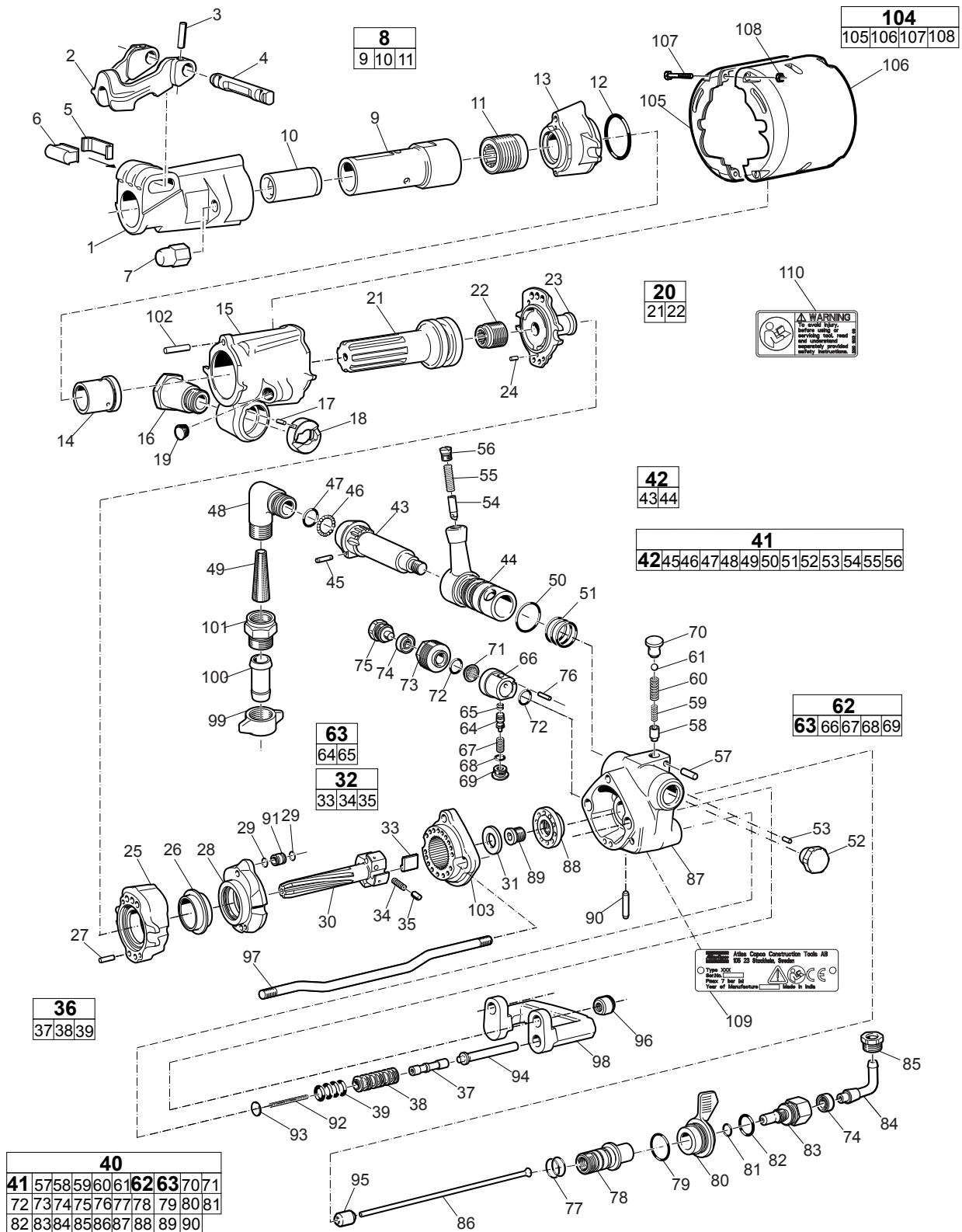
Instructions for use

This spare parts list contains no safety regulations and is merely intended to assist in the ordering of spare parts.

For information about operating, servicing, or repairing, the relevant Safety and operating instructions must be consulted at all costs.

Please observe the safety instructions listed in the relevant Safety and operating instructions!

Spare parts list



No.	Description	Remark	Quantity	Part number
1	Front head		1	3121 0154 00
2	Drill steel retainer		1	3121 0851 00
3	Spring pin		2	0108 3392 00
4	Retainer pin		1	3115 2925 00
5	Buffer plate		1	3121 0029 00
6	Buffer		1	3121 0030 00
7	Side bolt nut		2	3121 0872 00
8(9-11)	Rotation chuck set		1	3121 0826 80
9	Rotation chuck		1	-
10	Rotation chuck bushing	22 x 108 mm 7/8 x 4 1/4 in.	1	3121 0824 00
11	Chuck nut		1	3115 1220 00
12	O-ring		1	-
13	Intermediate part		1	3121 0751 00
14	Bushing		1	3121 0752 00
15	Cylinder		1	3121 0755 00
16	Adapter		1	3115 2992 00
17	Pin		1	0101 1274 00
18	Nut		1	3115 2993 00
19	Plug		2	3121 0707 00
20(21-22)	Piston set		1	3121 0767 80
21	Piston		1	-
22	Rifle nut		1	3121 0754 00
23	Rifle bar bearing		1	3121 0756 00
24	Spring pin		1	0108 1319 00
25	Valve casing		1	3121 0757 00
26	Main valve		1	3121 0758 00
27	Spring pin		1	0108 1322 00
28	Valve cover		1	-
29	O-ring	13.1 x 1.6 mm (70 shore) 0.52 x 0.06 in. (70 shore)	2	0663 6120 00
30	Rifle bar		1	3121 0626 00
31	Washer		1	3121 0627 00
32(33-35)	Pawl, complete		1	3115 9200 90
33	Pawl		4	3101 3159 00
34	Pressure spring		4	3100 9140 02
35	Pawl pin		4	3100 9641 01
36(37-39)	Valve, complete	Valid from serial number: MHN038429	1	3121 0726 81
37	Valve		1	-
38	Valve liner		1	-
39	O-ring	17.3 x 2.4 mm (70 shore) 0.68 x 0.09 in. (70 shore)	4	0663 2124 00
40(41,57-61,62,70-90)	Back head, complete		1	3121 0597 84
41(42,45-56)	Throttle valve, complete		1	3121 0489 81
42(43-44)	Throttle valve with inlet plug, complete		1	3121 0489 80
43	Inlet plug		1	-
44	Throttle valve		1	-
45	Pin		1	-
46	Ball		20	0517 1108 00
47	O-ring	26.2 x 3 mm (70 shore) 1.03 x 0.12 in. (70 shore)	1	0663 2128 00
48	Inlet nipple for air	25 mm 1 in.	1	3121 0521 00

No.	Description	Remark	Quantity	Part number
49	Air strainer		1	3121 0513 00
50	O-ring	44.2 x 3 mm (70 shore) 1.74 x 0.12 in. (70 shore)	1	0663 2135 00
51	O-ring	36.2 x 3 mm (70 shore) 1.43 x 0.12 in. (70 shore)	3	0663 2132 00
52	Plug		1	3121 0493 00
53	Pin		1	0101 1274 00
54	Ratchet pin		1	3121 0490 00
55	Spring		1	3121 0491 00
56	Plug		1	3121 0492 00
57	Pin		1	3121 0595 00
58	Pin		1	3121 0558 00
59	Spring		1	3121 0564 00
60	Spring		1	3121 0737 00
61	Ball		1	0517 1414 00
62(63,66-69)	Valve housing, complete		1	3121 0495 81
63(64-65)	Valve body, complete		1	3121 0713 80
64	Valve body		1	-
65	O-ring	5.3 x 2.4 mm (70 shore) 0.21 x 0.09 in. (70 shore)	2	0663 2112 00
66	Valve housing		1	-
67	Pressure spring		1	3121 0497 00
68	O-ring	15.3 x 2.4 mm (70 shore) 0.60 x 0.09 in. (70 shore)	1	0663 2122 00
69	Plug		1	3121 0714 00
70	Valve seat		1	3121 0736 00
71	Water strainer		1	3121 0501 00
72	O-ring	19.2 x 3 mm (70 shore) 0.76 x 0.12 in. (70 shore)	2	0663 2125 00
73	Adapter		1	3121 0716 00
74	Packing		2	3100 9653 00
75	Plug		1	3115 2786 00
76	Spring pin		1	0108 1298 00
77	O-ring	27.1 x 1.6 mm (70 shore) 1.07 x 0.06 in. (70 shore)	2	0663 6129 00
78	Flushing tube bushing		1	3121 0731 00
79	O-ring	36.2 x 3 mm (70 shore) 1.43 x 0.12 in. (70 shore)	1	0663 2132 00
80	Lever		1	3121 0557 00
81	O-ring	15.3 x 2.4 mm (70 shore) 0.60 x 0.09 in. (70 shore)	1	0663 2122 00
82	O-ring	26.58 x 3.53 mm (70 shore) 1.05 x 0.14 in. (70 shore)	1	0663 9184 00
83	Plug		1	3115 2785 00
84	Inlet nipple		1	3121 0854 00
85	Adapter		1	3121 0857 00
86	Air flushing tube		1	3115 2784 00
87	Back head		1	-
88	Guide ring		1	3121 0592 00
89	Stop screw		1	3121 0604 00
90	Valve pin		1	3121 0586 00
91	Pipe		1	3121 0673 00
92	Spring		1	3121 0725 00
93	Washer		1	3121 0724 00
94	Valve pin		1	3121 0675 00
95	Packing		1	3121 0043 00

No.	Description	Remark	Quantity	Part number
96	Nut		2	3121 0894 00
97	Side bolt		2	3121 0760 00
98	Handle		1	3121 0674 00
99	Wing nut		1	9000 0339 00
100	Hose nipple	25 mm 1 in.	1	9000 0326 00
101	Adapter		1	3000 5825 03
102	Spring pin		1	3115 1417 00
103	Ratchet box		1	3121 0898 00
104(105-108)	Silencer, complete		1	3115 2994 90
105	Cover, right		1	3115 2994 00
106	Cover, left		1	3115 2995 00
107	Screw		6	0211 1255 03
108	Nut		6	0261 2108 00
109	Data plate		1	-
110	Safety label		1	3310 1602 00

Accessories

Optional equipment

Description	Remark	Quantity	Part number
Lubricator CLG 30, European type claw couplings	For mineral & synthetic oil	1	8202 5102 39
Lubricator CLG 30, US type claw couplings	For mineral & synthetic oil	1	8202 5102 40
Lubricator BLG 30, European type claw couplings	For mineral oil	1	8202 5102 05
Lubricator BLG 30, US type claw couplings	For mineral oil	1	8202 5102 14
Water separator VAM 5A, European type claw couplings	Airflow < 120 l/sAirflow < 254 ft ³ /min	1	8092 0110 82
Water separator VAM 5A, US type claw couplings	Airflow < 120 l/sAirflow < 254 ft ³ /min	1	8092 0110 83
Hose nipple	Ø 1 in. Ø 25 mm	1	9000 0326 00
Rubber hose, pre-mounted with European type claw couplings (3 m)	Ø 1 in. Ø 25 mm	1	9030 2051 00

Rock drill AIR-OIL

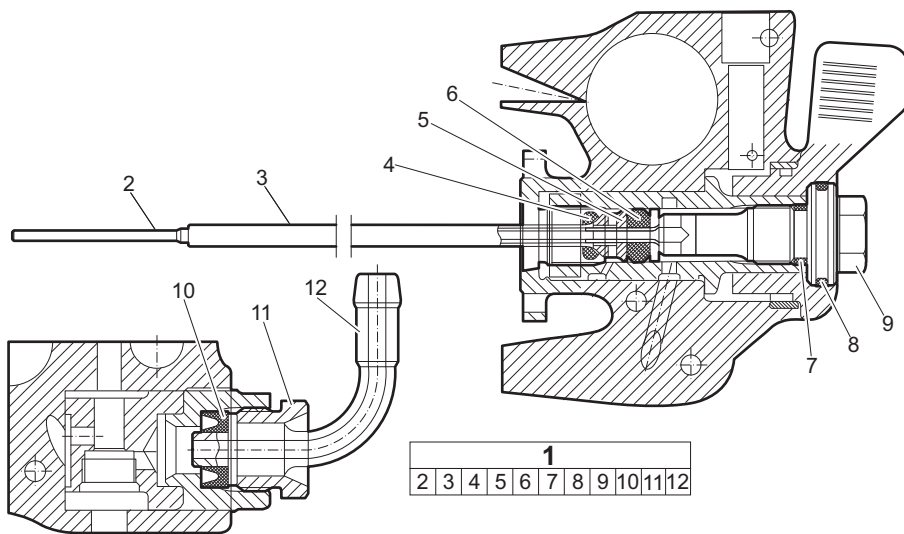
Description	Remark	Quantity	Part number
Rock drill AIR-OIL	1 l 0.22 US gal	1	8099 0201 01
Rock drill AIR-OIL	1 l 0.22 US gal	12	8099 0201 81
Rock drill AIR-OIL	4 l 0.88 US gal	1	8099 0201 04
Rock drill AIR-OIL	4 l 0.88 US gal	4	8099 0201 84
Rock drill AIR-OIL	10 l 2.2 US gal	1	8099 0201 10

Kits

Seal kit

Description	Remark	Quantity	Part number
Seal kit		1	3121 5000 94
O-ring	5.3 x 2.4 mm (70 shore) 0.21 x 0.09 in. (70 shore)	2	0663 2112 00
O-ring	15.3 x 2.4 mm (70 shore) 0.60 x 0.09 in. (70 shore)	2	0663 2122 00
O-ring	17.3 x 2.4 mm (70 shore) 0.68 x 0.09 in. (70 shore)	4	0663 2124 00
O-ring	19.2 x 3 mm (70 shore) 0.76 x 0.12 in. (70 shore)	2	0663 2125 00
O-ring	26.2 x 3 mm (70 shore) 1.03 x 0.12 in. (70 shore)	1	0663 2128 00
O-ring	36.2 x 3 mm (70 shore) 1.43 x 0.12 in. (70 shore)	3	0663 2132 00
O-ring	44.2 x 3 mm (70 shore) 1.74 x 0.12 in. (70 shore)	1	0663 2135 00
O-ring	13.1 x 1.6 mm (70 shore) 0.52 x 0.06 in. (70 shore)	2	0663 6120 00
O-ring	27.1 x 1.6 mm (70 shore) 1.07 x 0.06 in. (70 shore)	2	0663 6129 00
O-ring	79.5 x 3 mm (70 shore) 3.13 x 0.12 in. (70 shore)	1	0663 6140 00
O-ring	26.58 x 3.53 mm (70 shore) 1.05 x 0.14 in. (70 shore)	1	0663 9184 00
Rubber packing		1	3000 0121 00
Gasket		1	3100 9653 00

Conversion to water flushing



No.	Description	Quantity	Part number
1(2-12)	Conversion to water flushing	1	3115 2785 91
2	Water flushing tube	1	3121 0460 00
3	Air flushing tube	1	3121 0768 00
4	Packing	1	3000 0121 00
5	Guide ring	1	3121 0776 00
6	Packing	1	3100 9646 00
7	O-ring	1	0663 2122 00
8	O-ring	1	0663 9184 00
9	Plug	1	3121 0585 00
10	Packing	1	3100 9653 00
11	Adapter	1	3121 0857 00
12	Hose nipple	1	3121 0854 00

Side bolt kit

Description	Remark	Quantity	Part number
Side bolt kit		1	3121 5000 27
Nut		2	3121 0872 00
Side bolt		2	3121 0760 00
Nut		2	3121 0894 00



Any unauthorized use or copying of the contents or any part thereof is prohibited.
This applies in particular to trademarks, model denominations, part numbers, and drawings.

© 2013 Atlas Copco Construction Tools AB | No. 9800 0687 01b | 2013-01-31

www.atlascopco.com